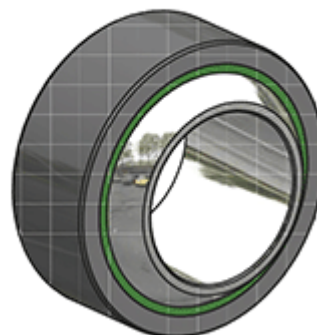
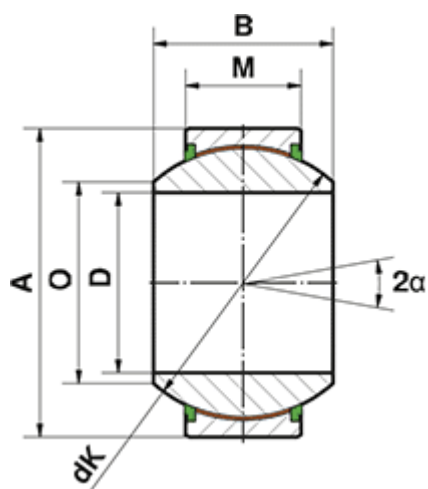


Article number: 03446060

Description: Fluro Heavy Duty Spherical Plain Bearing GE 60 GW-2RS
Hole Ø60

Note: 60

Measures



	= -	Dynamic load C (kN) = 883
	= -	M = 40
	= -	O = 67
A	= 105	Static load C0 (kN) = 1472
a (degrees)	= 17	Weight (g) = 2100
B	= 63	
D	= 60	
dK	= 92	